

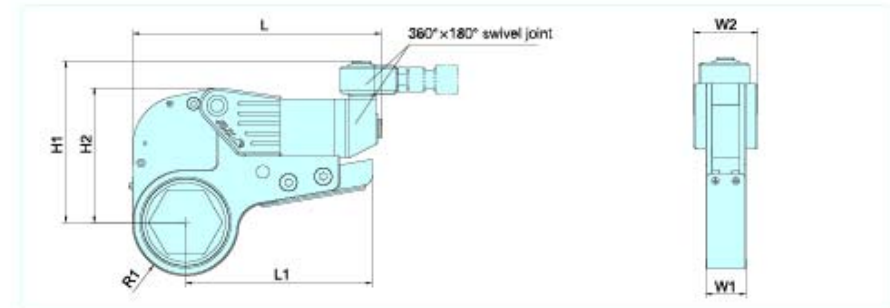
PHX series low profile hydraulic torque wrench



Products Feature

1. PHX-*PJM* is equipped with a 360° x 360° degree Uni-swivel so there is literally no hose kinking and the tool can be applied even in the most confined areas.
2. PHX-*PJM* using high-tech aerospace aluminum titanium alloy materials, supplemented by high-strength alloy steel, good toughness, light weight. It is the world's lightest and most durable hydraulic wrench.

3. PHX Major advantage
Universal fit (low height, small radii),
Anti-lock drive pawl, Torsion resistant housing, torsion-free action, Quick-Torque lever design (Rapid cycle), More turns per stroke, Quick switch cassettes link



Select The Correct Torque

Determine a principle before select a wrench, the loosen torque should be at least 150% as tighten torque.

Data	Model	PHX02	PHX05	PHX10	PHX20	PHX25	PHX40
Max torque (Nm)		2266	5188	9855	17202	23072	40639
Min torque (Nm)		227	519	986	1720	2307	4064
Hex sizes (Nm)		27-50	27-65	50-90	85-115	95-135	100-155
Power head		JX02	JX05	JX10	JX20	JX25	JX40
Link name		HX02-50	HX05-65	HX10-90	HX20-115	HX25-135	HX40-155
L (mm)		205	251.3	302.5	367	400.5	457.5
L1 (mm)		147	188	233	283	308	364
H1 (mm)		129	163	191	223	246	282
H2 (mm)		100	136	166.5	198	224	265
W1 (mm)		32	41	53	64	70	84
W2 (mm)		50	66	83	99	110	132
R (mm)		41.3	53.8	68.8	85.3	98.8	115.8
Weight (Kg)		2.2	5	9.6	16.9	22.9	38

• For customized design. Please contact *PJM*