

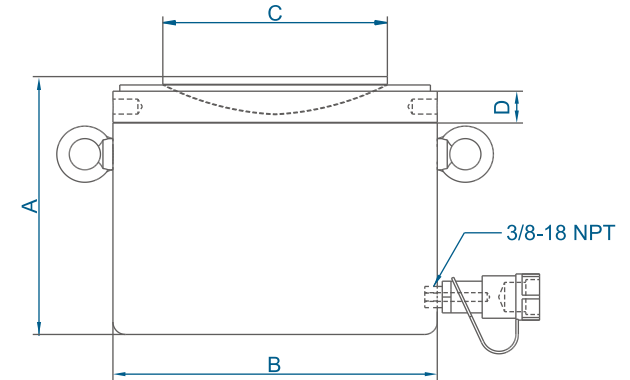
ww-SM

700 Bar Single Acting Lock Nut Cylinders

ISO9001 : 2008 | Made in Eichstätt / Germany

For all heavy duty applications
Hard Chrome plated piston rod
Interchangeable hardened saddle
Manufactured from high strength alloy steel

Single acting cylinders, load return with lock nut are designed to support loads mechanically. They can be used for foundation supporting such as bridge construction, buildings and shipbuildings, etc. Loads are fully held mechanically for long periods of time due to the lock nut.



Technical Data

Type	Capacity		Strok (mm)	Area (cm ²)	Oil Capacity (cm ³)	Closed Height A (mm)	Outer Diameter		Weight (kg)
	(ton)	(kN)					B (mm)		
SM-220-050	220	2156	50	314	1570	193	265		78,00
SM-220-100			100	314	3140	253	265		104,00
SM-220-150			150	314	4710	318	265		132,00
SM-350-050	350	3369	50	490,625	2453,2	205	330		127,00
SM-350-100			100	490,625	4906,3	265	330		167,00
SM-350-150			150	490,625	7359,5	335	330		214,00
SM-500-050	500	4851	50	706,5	3532,5	240	400		225,00
SM-500-100			100	706,5	7065	310	400		294,00
SM-500-150			150	706,5	10597,5	385	400		368,00
SM-710-050	710	6986	50	1017,36	5086,8	265	490		375,00
SM-710-100			100	1017,36	10173,6	340	490		486,00
SM-710-150			150	1017,36	15260,4	425	490		612,00
SM-1100-050	1100	10916	50	1589,625	7948,2	290	590		590,00
SM-1100-100			100	1589,625	15896,3	375	590		772,00
SM-1100-150			150	1589,625	23844,5	470	590		976,00

Additional Stroke Lengths available on request.



Werner Weitner GmbH Sollnau 14 D-85072 Eichstätt • Tel: + 49 8421 9816-0 • Fax: + 49 8421 9816-98 • info@werner-weitner.com
Official Web Site: www.werner-weitner.com | Marketing Platform: www.weitnertools.com | Distributed by SURKON

HYDRAULIC PRODUCTS