

ORBIT

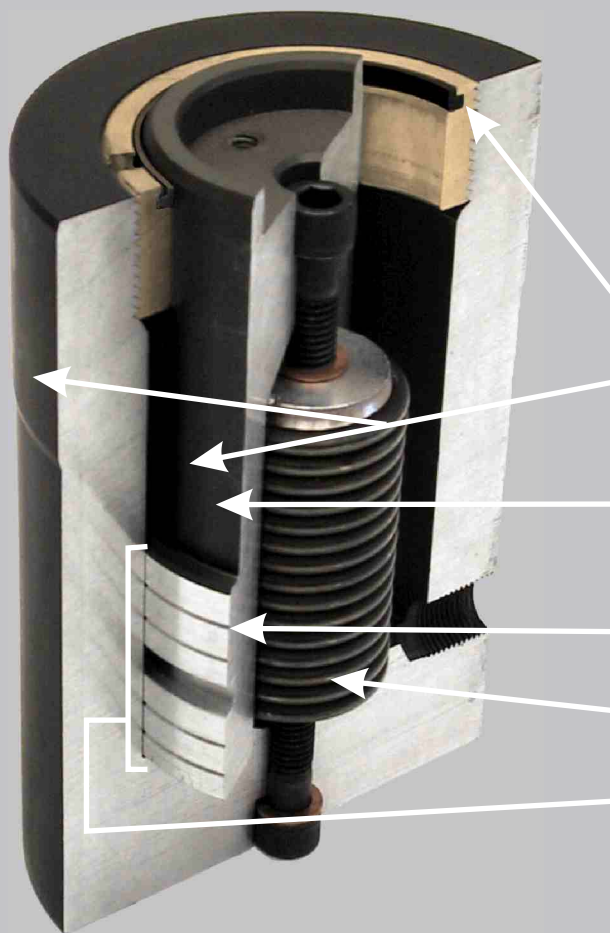
ALUMINUM



CYLINDERS

Single Acting

- Lightweight aluminum alloy construction. Up to 60% lighter than comparable tonnage steel jacks!
- Virtually impervious to lateral load
- 3/8" high-flow quick disconnect couplers
- Constructed and tested in compliance with ANSI B30.1



Wiper seals out dirt and contamination

Hard anodizing for extra protection against corrosion and wear

One piece rod and piston for extra stability and less maintenance

Balancing / Lubricating Grooves

Heavy Duty spring for faster retraction

Large bearing surface for protection against side loading

Made in Canada

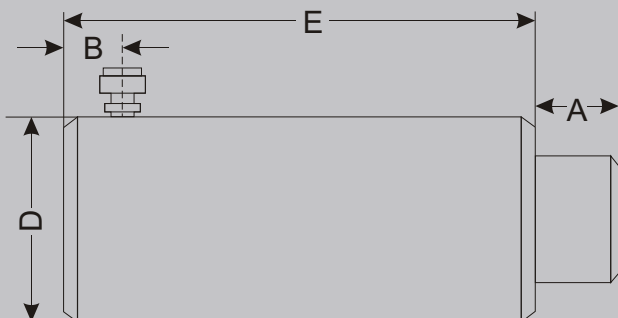


“ORBIT” - *The Lightweight with a Solid Punch*

Ordering Information

Operating pressure for all "ORBIT" cylinders up to 700 BAR / 10,000 PSI
Single-Acting, spring return - 30 through 150 ton capacities

Order Model Number	CYLINDER CAPACITY	A	E	CYLINDER EFFECTIVE AREA	OIL CAPACITY	B	WEIGHT	D
		STROKE	RETRACTED HEIGHT			BASE TO INLET PORT		CYLINDER BODY
	tons	mm / in.	mm / in.	cm ² / sq.in.	cm ³ / cu.in.	mm / in.	kg / lb.	mm / in.
OR 30/2	30	50/2	165.1/6.5	41.9/6.5	213/13	38/1.5	5.0/11	114/4.5
OR 30/4	30	101/4	215.9/8.5	41.9/6.5	426/26	38/1.5	6.2/14	114/4.5
OR 30/6	30	152/6	266.7/10.5	41.9/6.5	639/39	38/1.5	7.4/17	114/4.5
OR 30/8	30	203/8	317.5/12.5	41.9/6.5	852/52	38/1.5	9.1/20	114/4.5
OR 30/10	30	254/10	368.3/14.5	41.9/6.5	1065/65	38/1.5	10.4/23	114/4.5
OR 50/2	50	50/2	165.1/6.5	71.2/11	360/22.1	38/1.5	7.4/17	139/5.5
OR 50/4	50	101/4	215.9/8.5	71.2/11	723/44.2	38/1.5	9.6/22	139/5.5
OR 50/6	50	152/6	266.7/10.5	71.2/11	1085/66.2	38/1.5	11.4/25	139/5.5
OR 50/8	50	203/8	317.5/12.5	71.2/11	1445/88.2	38/1.5	13.6/30	139/5.5
OR 50/10	50	254/10	368.3/14.5	71.2/11	1809/110.4	38/1.5	15.4/34	139/5.5
OR 75/2	75	50/2	165.1/6.5	97/15	492/30.1	38/1.5	10.0/22	165/6.5
OR 75/4	75	101/4	215.9/8.5	97/15	985/60.1	38/1.5	13.0/29	165/6.5
OR 75/6	75	152/6	266.7/10.5	97/15	1477/90.2	38/1.5	15.8/35	165/6.5
OR 75/8	75	203/8	317.5/12.5	97/15	1969/120.2	38/1.5	19.0/42	165/6.5
OR 75/10	75	254/10	368.3/14.5	97/15	2463/150.3	38/1.5	22.7/50	165/6.5
OR 100/2	100	50/2	165.1/6.5	133/20.7	675/41.2	38/1.5	16.0/36	203/8.0
OR 100/4	100	101/4	215.9/8.5	133/20.7	1351/82.4	38/1.5	19.4/43	203/8.0
OR 100/6	100	152/6	266.7/10.5	133/20.7	2027/123.7	38/1.5	23.0/51	203/8.0
OR 100/8	100	203/8	317.5/12.5	133/20.7	2702/164.9	38/1.5	27.2/60	203/8.0
OR 100/10	100	254/10	368.3/14.5	133/20.7	3379/206	38/1.5	30.6/68	203/8.0
OR 150/2	150	50/2	165.1/6.5	198/30.7	1005/61.4	38/1.5	24.8/55	254/10
OR 150/4	150	101/4	215.9/8.5	198/30.7	2011/122.7	38/1.5	30.6/68	254/10
OR 150/6	150	152/6	266.7/10.5	198/30.7	3016/184.1	38/1.5	36.6/81	254/10
OR 150/8	150	203/8	317.5/12.5	198/30.7	4020/245.6	38/1.5	43.1/95	254/10
OR 150/10	150	254/10	368.3/14.5	198/30.7	5027/306.8	38/1.5	50.8/112	254/10



ORBIT Manufacturing Inc. is committed to continuous product enhancement and development and reserves the right to make product design changes without prior notice.

Warranty

All ORBIT cylinders are guaranteed against defects in materials and workmanship. Warranty does not cover normal wear and tear, overloading or improper use. For warranty claims, please contact your nearest ORBIT dealer.

Orbit Manufacturing Inc.
#104 - 3070 Norland Ave.,
Burnaby, B.C.
Canada V5B 3A6

Phone: (604)-293-0063
Fax: (604)-293-0064
Email: orbit@telus.net
Web: www.orbithydraulics.com