

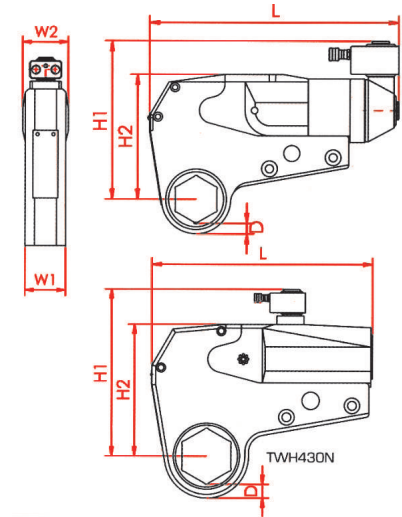
ww-XLCT

700 Bar Low Profile Torque Wrenches



ISO9001 : 2008

- 700 bar maximum working pressure
- Compact, lightweight, aluminium design
- Repeat accuracy +/- 3%
- Powerful and Low profile design for limited access applications
- Minimum radius cassette head for fitting in confined spaces
- Suitable for continuous operations at maximum pressure
- Replaceable driver adapters & cassette reducers
- Fitted with 360° x 180° Uni-Swivel quick release couplings



Type	2XLCT		4XLCT		8XLCT		14XLCT		30XLCT	
Torque / (Nm)	Min 230	Max 2,400	Min 580	Max 6,450	Min 1,090	Max 11,700	Min 1,850	Max 18,500	Min 4,180	Max 44,500
Screw Size (mm)	19~55	60	34~65	70~80	41~95	100~105	50~117	110~155	160~175	
Weight (kg)	2,4	2,4	5,1	5,1	9,3	9,3	16	30,9	30,9	

Sizes

L (mm)	196,4	196,4	258	263	310	311	360	430	441
H1 (mm)	126	128,5	163	173	192	201	225	303	315
H2 (mm)	102,3	105	135,5	145,7	168	177	204	272	285
W1 (mm)	32	32	42	42	53	53	64	83	85
W2 (mm)	51	51	66	66	83	83	99	131	131

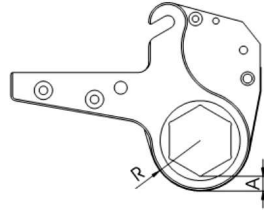




700 Bar Cartridges for XLCT

ISO9001 : 2008

XLCT cassette torque wrenches have a wide range of cassettes according to nut sizes. Different sizes of cassettes from the list given below are could be manufactured if requested. Low profile (cassette) torque wrenches are designed for more special applications according to square drive torque wrenches. For this reason low profile torque wrenches are ordered according to fixed nut sizes. Hexagon nut sizes, which are out of the fixed nut sizes, can be completed by the cassette reducers. This specification makes cassette torque wrenches more flexible and multipurpose as same as square drive wrenches.



CASSETTE REDUCERS

Every model of XLCT torque wrenches has a choice of cassette reducers that cover all nut sizes. Reducer's size varies from 10 mm below the cassette unit size until the last radius wall thickness. The more distance from cassette unit size means the more radius wall thickness. You can lower the cylinders and remove the cartridges with a lower hexagon reducer by the help of subordinate mass R and A of the cassettes. In confined spaces and the places where nuts are too close each other it is important to pay attention this specification.

Cassette reducers are available in most sizes, but it is recommended to keep a minimum wall thickness of 5 mm.



2 XLCT				4 XLCT				8 XLCT				14 XLCT				30 XLCT			
Cassettes (mm)	SW	R	A	Cassettes (mm)	SW	R	A	Cassettes (mm)	SW	R	A	Cassettes (mm)	SW	R	A	Cassettes (mm)	SW	R	A
2LOW-19	19	27	16	4LOW-34	34	36	16	8LOW-41	41	50	26	14LOW-50	50	66	37	30LOW-85	85	78	28
2LOW-22	22	27	14	4LOW-36	36	36	15	8LOW-46	46	50	23	14LOW-55	55	66	34	30LOW-90	90	78	26
2LOW-27	27	27	11	4LOW-41	41	39	15	8LOW-50	50	50	21	14LOW-60	60	66	31	30LOW-95	95	83	28
2LOW-30	30	29	12	4LOW-46	46	42	15	8LOW-55	55	50	18	14LOW-65	65	66	28	30LOW-100	100	83	25
2LOW-32	32	29	11	4LOW-50	50	44	15	8LOW-60	60	55	20	14LOW-70	70	66	25	30LOW-105	105	89	28
2LOW-34	34	31	11	4LOW-55	55	46	14	8LOW-65	65	55	17	14LOW-75	75	66	22	30LOW-110	110	89	25
2LOW-36	36	31	10	4LOW-60	60	50	15	8LOW-70	70	60	20	14LOW-80	80	66	19	30LOW-115	115	95	28
2LOW-41	41	34	10	4LOW-65	65	53	15	8LOW-75	75	60	17	14LOW-85	85	72	22	30LOW-117	117	95	27
2LOW-46	46	37	10	4LOW-70	70	56	15	8LOW-80	80	66	19	14LOW-90	90	72	20	30LOW-120	120	95	25
2LOW-50	50	40	11	4LOW-75	75	59	15	8LOW-85	85	66	16	14LOW-95	95	77	22	30LOW-125	125	101	29
2LOW-55	55	43	11	4LOW-80	80	61	15	8LOW-90	90	71	19	14LOW-100	100	77	19	30LOW-130	130	101	26
2LOW-60	60	46	11					8LOW-95	95	71	16	14LOW-105	105	83	22	30LOW-135	135	104	26
								8LOW-100	100	78	20	14LOW-110	110	83	19	30LOW-140	140	110	29
								8LOW-105	105	78	17	14LOW-115	115	87	20	30LOW-145	145	110	26
												14LOW-117	117	87	19	30LOW-150	150	116	29
																30LOW-155	155	116	26
																30LOW-160	160	128	36
																30LOW-165	165	128	33
																30LOW-170	170	128	30
																30LOW-175	175	128	27

