

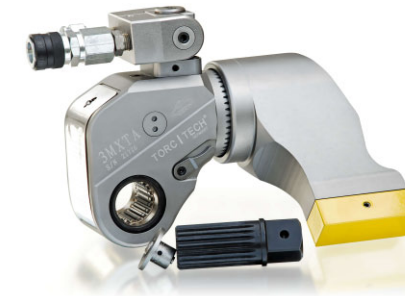
# ww-MXTA

## 700 Bar Square Drive Torque Wrenches



ISO9001 : 2008

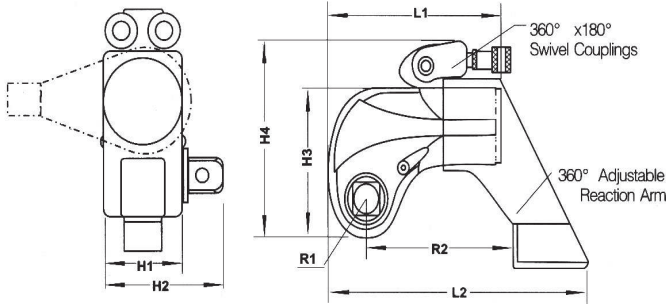
- 700 bar maximum working pressure
- Compact, lightweight, aluminium design
- Repeat accuracy +/- 3%
- Powerful and ergonomic design
- Suitable for continuous operations at maximum pressure
- Replaceable square driver adapter
- 360° Adjustable reaction arm with safety lock feature
- Fitted with 360° x 180° Uni-Swivel quick release couplings
- Body shroud engraved with torque pressure chart



Type	0,7MXTA	1MXTA	3MXTA	5MXTA	8MXTA	10MXTA	20MXTA	25MXTA	35MXTA	50MXTA
Torque / Min (Nm) Max	110 1,100	180 1,800	450 4,500	750 7,500	1,000 10,700	1,500 15,500	2,600 26,600	3,400 34,700	4,800 48,600	7,200 72,000
Square drive (mm)	3/4"	3/4"	1"	1 1/2"	1 1/2"	1 1/2"	2 1/2"	2 1/2"	2 1/2"	2 1/2"
Weight (kg)	1,8	2,5	5	8	11	15	26	35	50	87

### Sizes

L1 (mm)	110,8	130	166	198	213	231	295	314	355	400
L2 (mm)	139,3	182	241	281	308	336	443	464	489	516
H1 (mm)	42	50	68	80	90	100	120	137	153	160
H2 (mm)	65,8	72	95	123	130	141	182	200	217	223
H3 (mm)	76,2	99	130	155	171	187	228	255	290	291
H4 (mm)	108,1	144	176	198	216	230	268	295	330	341
R1 (mm)	20,5	26	34	39	47	51	59	67	79	81
R2 (mm)	68,3	99	134	152	171	174	250	251	271	259



Werner Weitner GmbH Sollnau 14 D-85072 Eichstätt • Tel: + 49 8421 9816-0 • Fax: + 49 8421 9816-98 • info@werner-weitner.com  
 Official Web Site: [www.werner-weitner.com](http://www.werner-weitner.com) | Marketing Platform: [www.weitertools.com](http://www.weitertools.com) | Distributed by SURKON

HYDRAULIC PRODUCTS