

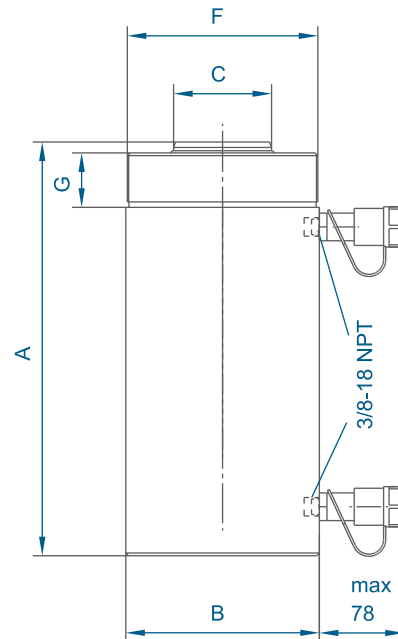
ww-SL

700 Bar Double Acting High Tonnage Cylinders

ISO9001 : 2008 | Made in Eichstätt / Germany

For all heavy duty applications
Hard Chrome plated piston rod
Interchangeable hardened saddle
Manufactured from high strength alloy steel

Double acting cylinders manufactured for harsh condition in both vertical and horizontal positions. Hard chrome plated piston with wiper seal extends cylinder life.



Technical Data

Typ	Capacity		Strok (mm)	Area (cm ²)	Oil Capacity (cm ³)	Closed Height A (mm)	Outer Diameter B (mm)	Weight (kg)
	(ton)	(kN)						
SL-220-050			50		1570	265		105
SL-220-150	220	2156	150	314	4710	365	265	136
SL-220-300			300		9420	515		182
SL-350-050			50		2454	265		167
SL-350-150	350	3369	150	491	7360	365	330	220
SL-350-300			300		14719	515		300
SL-500-050			50		3533	270		253
SL-500-150	500	4852	150	707	10598	380	400	345
SL-500-300			300		21195	550		485
SL-1100-150			150		23850	450		880
SL-1100-300	1100	10916	300	1590	47700	600	590	1120

Additional Stroke Lengths available on request.



Werner Weitner GmbH Sollnau 14 D-85072 Eichstätt • Tel: + 49 8421 9816-0 • Fax: + 49 8421 9816-98 • info@werner-weitner.com
Official Web Site: www.werner-weitner.com | Marketing Platform: www.weitertools.com | Distributed by SURKON

HYDRAULIC PRODUCTS